

BR03

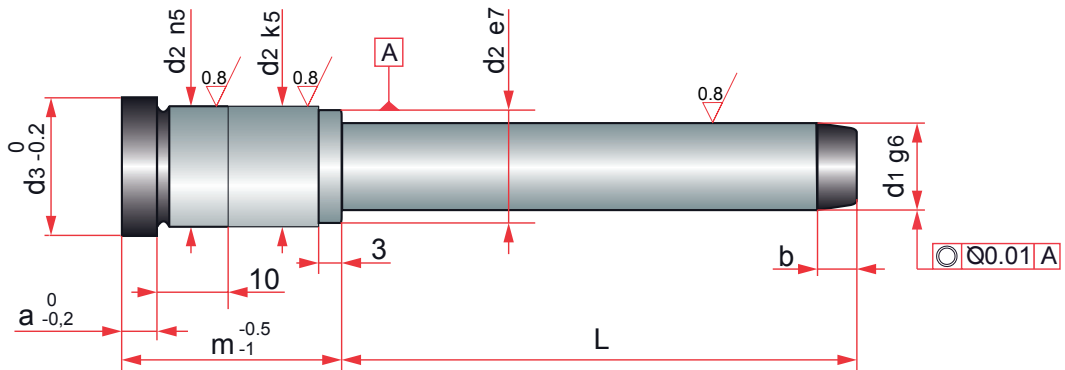


Guide pillar BR03

Guía tipo BR03

Colonne de guidage BR03

Guia principal BR03



Hardness: 58 ±2HRC Mat.: aprox. 1.0401

a	b	d ₁	d ₂	d ₃	m	L	DLC	Qty.
							<input type="checkbox"/>	

Notas: